



ekostarter.pl

TEL. 509 677 350
TEL. 39 904 12 09
sklep@ekostarter.pl

**ALTERNATORY I ROZRUSZNIKI
DLA PRZEMYSŁU I ROLNICTWA**

DANE TECHNICZNE, ZASTOSOWANIA, WYMIARY



ROZRUSZNIK BOMAG / TYP B5

Cena :

560,98 zł (netto)

690,00 zł (brutto)

Nr katalogowy : **RIS1254**

Dostępność : **Dostępny**



ROZRUSZNIK

12V, 4.0 kW



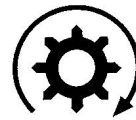
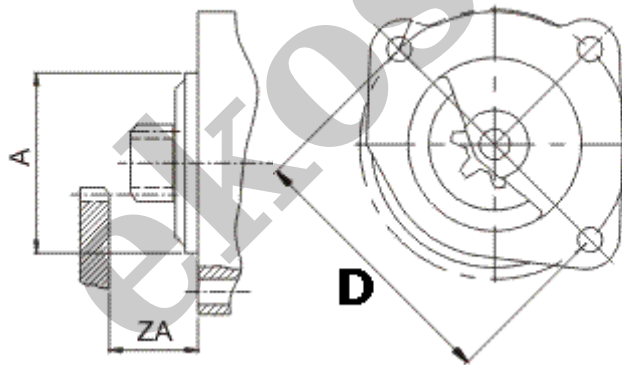
ZASTOSOWANIE

BOMAG - RÓŻNE MODELE

PRZYKŁADOWE ZASTOSOWANIA:

	Model	Silnik
BOMAG	BC 462 EB	TCD2013 L06 2V; 190kW; Tier 3
BOMAG	BF 600 c HSE	TCD2013 L04; 120kW
BOMAG	BF 600 P HCE	TCD2013 L04; 120kW
BOMAG	BF 600 P HSE	TCD2013 L04; 120kW
BOMAG	BF 800 C S 500	TCD2012 L06 2V; 135kW
BOMAG	BF 800 C S 600	TCD2012 L06 2V; 135kW
BOMAG	BF 800 P S 500	TCD2012 L06 2V; 135kW
BOMAG	BF 800 P S 600	TCD2012 L06 2V; 135kW
BOMAG	BW 24 RH	TCD2012 L04 2V; 75kW; Tier 3
BOMAG	BW 211 D-4	TCD2013 L04; 99kW; Tier 3a
BOMAG	BW 27 RH	TCD2012 L04 2V; 100kW; Tier 3

BOMAG	BW 27 RH-4	TCD4,1 L04; 95kW; Tier 3b/4
BOMAG	BW 190 AD-4	TCD2012 L04 2V; 100kW; Tier 3
BOMAG	BW 190 AD-4 AM	TCD2012 L04 2V; 100kW; Tier 3
BOMAG	BW 202 AD-4	TCD2012 L04 2V; 100kW; Tier 3
BOMAG	BW 203 AD-4	TCD2012 L04 2V; 100kW; Tier 3
BOMAG	BW 203 AD-4 AM	TCD2012 L04 2V; 100kW; Tier 3
BOMAG	BW 211 D-4	TCD2013 L04; 99kW; Tier 3a
BOMAG	BW 213 D-4	TCD2013 L04; 99kW; Tier 3a
BOMAG	BW 211 D-40	BF4M 2012 C; 98kW; Tier 2
BOMAG	BW 211 PD-4	TCD2013 L04; 99kW; Tier 3a
BOMAG	BW 211 PD-40	BF4M 2012 C; 98kW; Tier 2
BOMAG	BW 212 PD-40	BF4M 2012 C; 98kW; Tier 2
BOMAG	BW 213 D-40	BF4M 2012 C; 98kW; Tier 2
BOMAG	BW 213 DH-4	TCD2013 L04; 120kW; Tier 3a
BOMAG	BW 213 DH-4 BVC	TCD2013 L04; 120kW; Tier 3a
BOMAG	BW 213 DH-4 BVC/P	TCD2013 L04; 120kW; Tier 3a
BOMAG	BW 213 DH-4/P	TCD2013 L04; 120kW; Tier 3a
BOMAG	BW 213 DI-4	TCD2013 L04; 120kW; Tier 3a
BOMAG	BW 213 PD-40	BF4M 2012 C; 98kW; Tier 2
BOMAG	BW 213 PDH-4	TCD2013 L04; 120kW; Tier 3a
BOMAG	BW 214 D-4	TCD2013 L04; 99kW; Tier 3a
BOMAG	BW 214 DH-4	TCD2013 L04; 120kW; Tier 3a
BOMAG	BW 214 PDH-4	TCD2013 L04; 99kW; Tier 3a
BOMAG	BW 216 D-4	TCD2013 L04; 120kW; Tier 3a
BOMAG	BW 216 D-40	BF4M 1013 EC; 114kW; Tier 2
BOMAG	BW 216 DH-4	TCD2012 L06; 150kW; Tier 3a
BOMAG	BW 216 PD-4	TCD2012 L06; 150kW; Tier 3a
BOMAG	BW 216 D-40	BF4M 1013 EC; 114kW; Tier 2
BOMAG	BW 216 PD-40	BF4M 1013 EC; 114kW; Tier 2
BOMAG	BW 216 PDH-4	TCD2012 L06; 150kW; Tier 3a
BOMAG	BW 218 D-40	BF4M 1013 EC; 114kW; Tier 2
BOMAG	BW 219 D-4	TCD2012 L06; 150kW; Tier 3a
BOMAG	BW 219 D-4	TCD6,1 L6; 150kW; Tier 4
BOMAG	BW 219 DH-4	TCD2012 L06; 150kW; Tier 3a
BOMAG	BW 219 PD-4	TCD2012 L06; 150kW; Tier 3a



9

A=89mm; ZA=31mm; D=127mm