



ekostarter.pl

TEL. 509 677 350
TEL. 39 904 12 09
sklep@ekostarter.pl

**ALTERNATORY I ROZRUSZNIKI
DLA PRZEMYSŁU I ROLNICTWA**

DANE TECHNICZNE, ZASTOSOWANIA, WYMIARY



ROZRUSZNIK JOHN DEERE / TYP JD2

Cena :

447,15 zł (netto)

550,00 zł (brutto)

Nr katalogowy : **RCS395**

Dostępność : **Dostępny**



ROZRUSZNIK

12V, 3,0 kW



ZASTOSOWANIE

JOHN DEERE - RÓŻNE MODELE

PRZYKŁADOWE ZASTOSOWANIA:

	MODEL	SILNIK
JOHN DEERE	1020	3.164 DL-04
JOHN DEERE	1030	3.164 DL-04
JOHN DEERE	1032 Combine	48KW

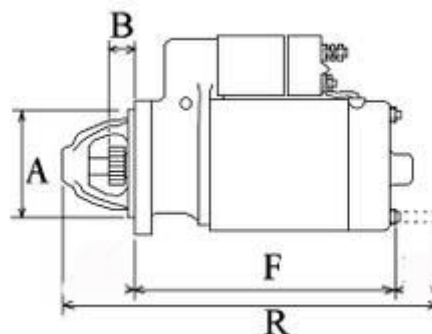
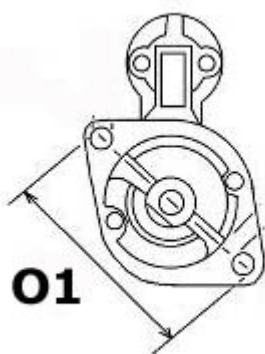
JOHN DEERE	1040	3.179 DL-06
JOHN DEERE	1042 Combine	55KW
JOHN DEERE	1052 Combine	63KW
JOHN DEERE	1055 Combine	77KW
JOHN DEERE	1065 Combine	6.359 TZ-03
JOHN DEERE	1068 Hydro Combine	92KW
JOHN DEERE	1075 Hydro Combine	6.359 TZ-02
JOHN DEERE	1085 Hydro Combine	6.466 AZ-01
JOHN DEERE	1120	3.164 DL-01
JOHN DEERE	1130	3.164 DL-13
JOHN DEERE	1140	3.179 DL-01
JOHN DEERE	1630	3.179 DL-01
JOHN DEERE	1640	4.239 DL-03
JOHN DEERE	1830	4.219 DL-03
JOHN DEERE	1840	4.239 DL-04
JOHN DEERE	2030	4.219 DL-03
JOHN DEERE	2040	4.239 DL-04
JOHN DEERE	2130	4.239 DL-01
JOHN DEERE	2140	4.239 TL-02
JOHN DEERE	2250	4.239 DL
JOHN DEERE	2650	4.239 TL-006
JOHN DEERE	2850	4.239 TL-007
JOHN DEERE	3040	6.359 DL-01
JOHN DEERE	3040	6.359 DL-06
JOHN DEERE	3050	6.359 DL-008
JOHN DEERE	3130	6.329 DL-11
JOHN DEERE	3140	6.359 DL-03
JOHN DEERE	3140	6.359 DL-04
JOHN DEERE	3350	6.359 DL-008
JOHN DEERE	3640	6.359D
JOHN DEERE	3650	6.359 TL-007
JOHN DEERE	925 Combine	3.164 DZ-02
JOHN DEERE	930	3.164 DL-15
JOHN DEERE	932 Combine	4.239 DZ-04
JOHN DEERE	935 Combine	4.219 DZ-05
JOHN DEERE	940	3.179 DL-05
JOHN DEERE	942 Combine	4.239 DZ-03
JOHN DEERE	952 Combine	4.239 TZ-01
JOHN DEERE	955 Combine	6.329 DZ-02
JOHN DEERE	965 Combine	6.359 TZ-03
JOHN DEERE	975 Combine	6.359 TZ-02

BOSCH: 0001359016; 0001359090; 0001367075; 0001367078; 0001369001; 0001369005; 0001369022;

ISKRA: 11.130.534; 11.130.569; 11.130.819; AZJ3158; AZJ3181; AZJ3283;

JOHN DEERE: AL110504; AR70436; AT23401;

MAGNETON (PAL/SKODA): 443115142700; 9142700;



10

01	103,60 mm
A	82 mm
B	33 mm
F	262 mm
R	342 mm

ekostarter.pl